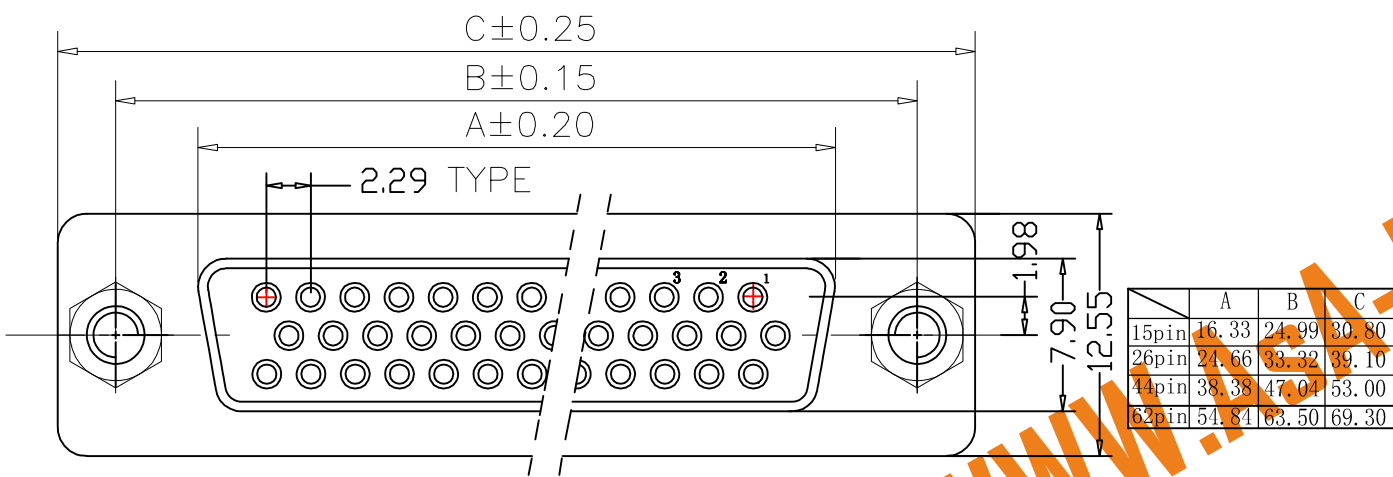


# D-SUB Female Three Row Solder Type(stamped Pin)

**ROHS COMPLIANT**



### Material (材料):

Housing(塑胶): Temperature Thermoplastics, PBT+G.F UL 94V-0  
 Contact(端子): Brass or Bronze  
 Shell(壳): 0.35T Steel Nickel Plating All Area

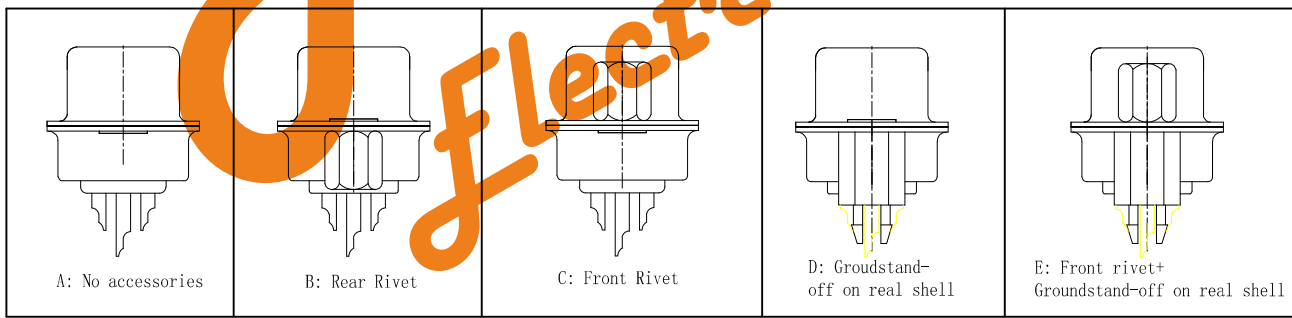
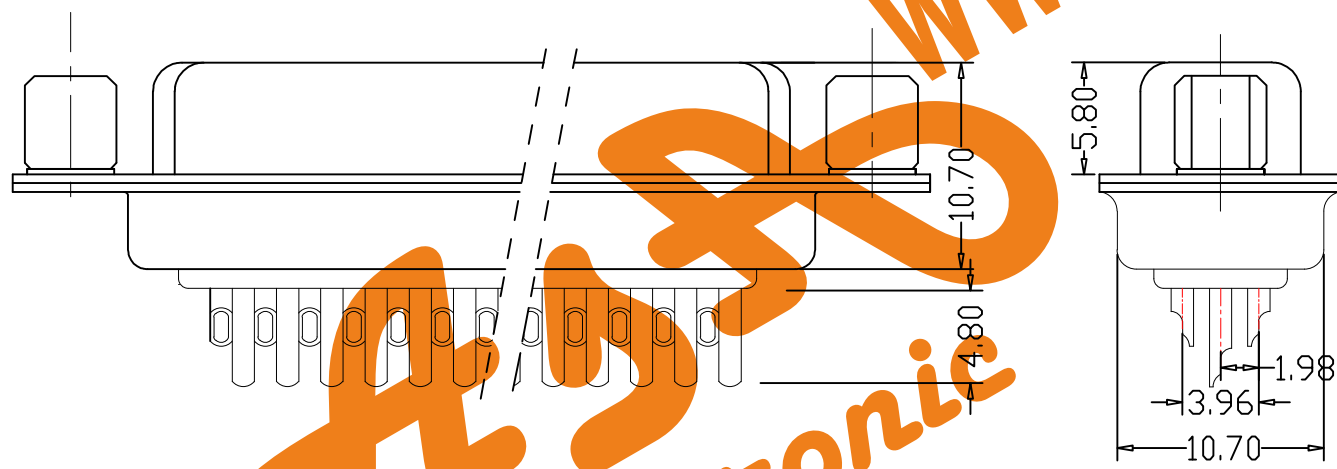
### Electical Characteristics(电气性能):

Current Rating(额定电流): 5A  
 Contact Resistance(接触阻抗): 20 milliohms Max  
 Withstanding Voltage(耐电压): 500V AC For 1 Minute  
 Insulation Resistance(绝缘阻抗): 1000 Megohms Min  
 Operating Temperature:(温度范围): -55° C to +105° C

### Ordering Code:

HDD01 -  $\frac{F}{1}$  -  $\frac{X}{2}$  -  $\frac{A}{3}$  -  $\frac{A}{4}$  -  $\frac{B}{5}$  -  $\frac{S}{7}$

- ① Three Row Straight DIP
- ② Contact Type:  
F:Female
- ③ Contact NO. :  
15=15pin 26=26pin  
44=44pin 62=62pin
- ④ Mounting Option:  
A: No accessories  
B: Rear Rivet  
C: Front Rivet  
D: Groudstand-off on real shell  
E: Front rivet+Groundstand-off on real shell
- ⑤ Accessories:  
0:Non Accessories  
A: Zinc alloy 4.8mm Nickel  
A1:Zinc alloy 5.8mm Nickel  
B: Iron 4.8mm Nickel  
B1:Iron 5.8mm Nickel  
C: Copper alloy 4.8mm Nickel  
C1:Copper alloy 5.8mm Nickel  
D: Copper screw 4.8mm Nickel  
D1:Copper screw 5.8mm Nickel
- ⑥ Color Code:  
W:White L:Blue  
B:Black G:Grey
- ⑦ Contact Plating  
S: Selective Gold  
G0: Gold flash G1: 3u" Gold  
G2: 5u" Gold G3: 10u" Gold  
G4: 15u" Gold G5: 30u" Gold



Unless Otherwise specified tolerance		 <b>AsA Electronic Co.</b> WWW.AsA-Elec.com Tel : (+98) 21 66 73 56 82 Mob : (+98) 912 03 161 02
X:±0.35 X.X:±0.25 X.XX:±0.20 X.XXX:±0.15	SCALE: 1:1	
UNIT: mm	DRAWN: junfon H	TITLE: D-SUB Female Three Row Solder Type(stamped Pin)
CHECKED: YANG	DATE: 11/3/1	DRAWING NO: HDD01-FXXXXX
		PRODUCT NO: HDD01-FXXXXX

REV	DESCRIPTION	DATE
1		
2		
3		
4		
5		